



Installation Instructions

Moduleflex eFurnace™



TABLE OF CONTENTS	PAGE	PAGE	
Safety.....	2	General Installation Instructions.....8	
Wiring Diagram	2	Product Dimensions	10
Thermostat Connections.....	3	Make Electrical Connections.....	10
Blower Performance Data.....	4	Complete Installation	11
Installation Clearances.....	5	Sequence of Operation.....	11
Installation Requirements	5	Maintenance	11
Tools and Parts	6	Assistance or Service	12
Location Requirements	6	Warranty	12
Installation Instructions	6		

WARNING

This product may contain fiberglass wool insulation. Glass wool fibers are known to the State of California to cause cancer. Disturbing insulation during installation, maintenance, or repair may expose you to glass wool fibers and may cause respiratory, skin or eye irritation. For further information on risks associated with fiberglass wool, consult Material Safety Data Sheet available from OEM.

CAUTION

This appliance is not intended for use by persons (including children) with reduced physical, sensory or mental capabilities, or lack of experience and knowledge, unless they have been given supervision or instruction concerning use of the appliance by a person responsible for their safety. Children should be supervised ensure that they do not play with the appliance.



Product improvement is a continuous process at Advanced Distributor Products. Therefore, product specifications are subject to change without notice and without obligation on our part. Please contact your ADP representative or distributor to verify details.

© 2023 by Advanced Distributor Products. All rights reserved.

SAFETY

Your safety and the safety of others are very important.

We have provided many important safety messages in this manual and on your appliance. Always read and obey all safety messages.



This is the safety alert symbol.

This symbol alerts you to potential hazards that can kill or hurt you and others.

All safety messages will follow the safety alert symbol and either the word "DANGER" or "WARNING." These words mean:

DANGER: You can be killed or seriously injured if you don't immediately follow instructions.

WARNING: You can be killed or seriously injured if you don't follow instructions.

All safety messages will tell you what the potential hazard is, tell you how to reduce the chance of injury, and tell you what can happen if the instructions are not followed.



NOTICE



This unit is a PARTIAL UNIT AIR CONDITIONER, complying with PARTIAL UNIT requirements of this Standard, and must only be connected to other units that have been confirmed as complying to corresponding PARTIAL UNIT requirements of this Standard, UL 60335-2-40/CSA C22.2 No. 60335-2-40, or UL 1995/CSA C22.2 No 236.

IMPORTANT

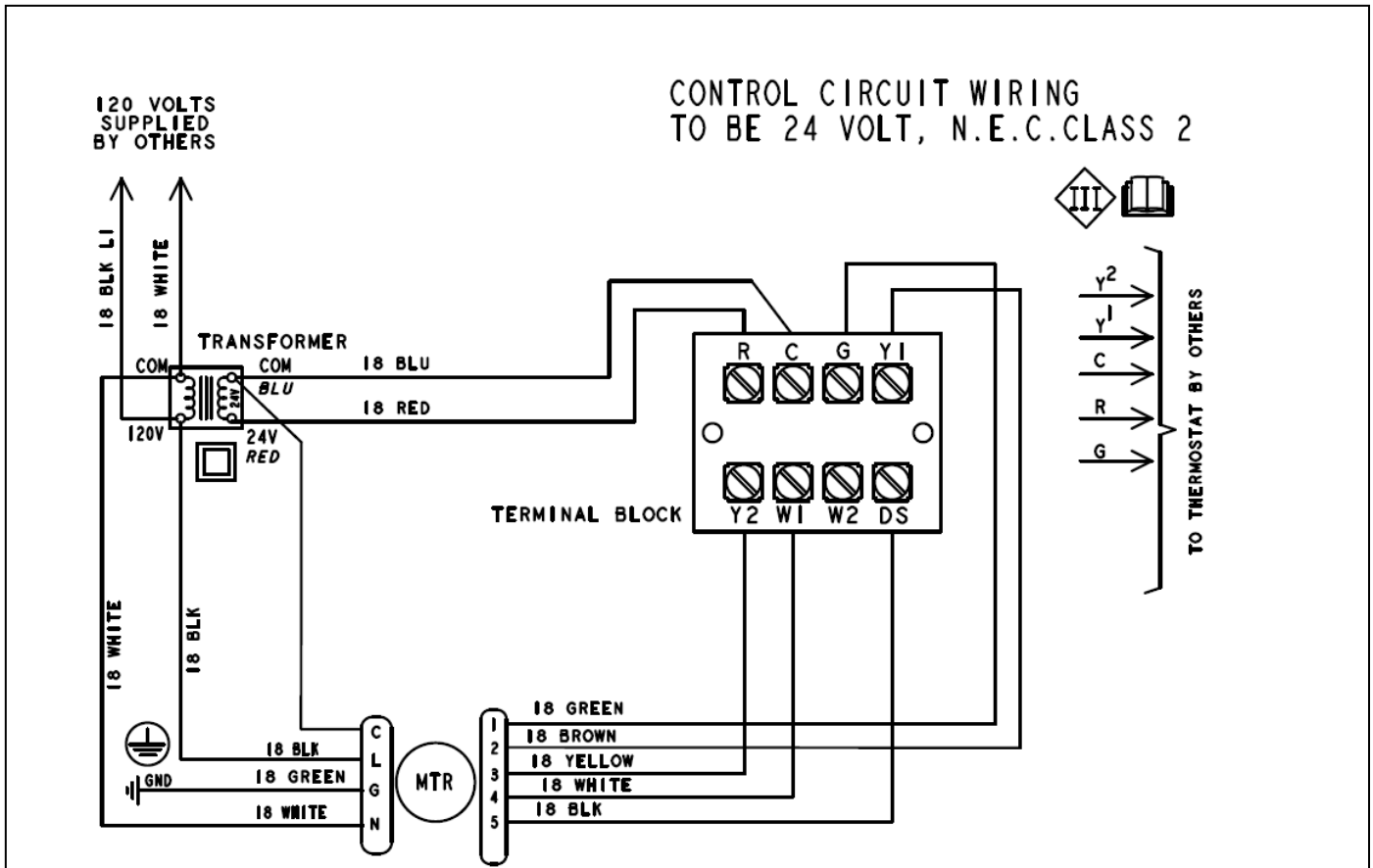
Improper installation, adjustment, alteration, service or maintenance can cause property damage, personal injury or loss of life. Installation and service must be performed by a licensed professional HVAC installer or equivalent, service agency, or the gas supplier.

NOTICE

Maximum altitude of application is 3200 m above sea level.

WIRING DIAGRAM

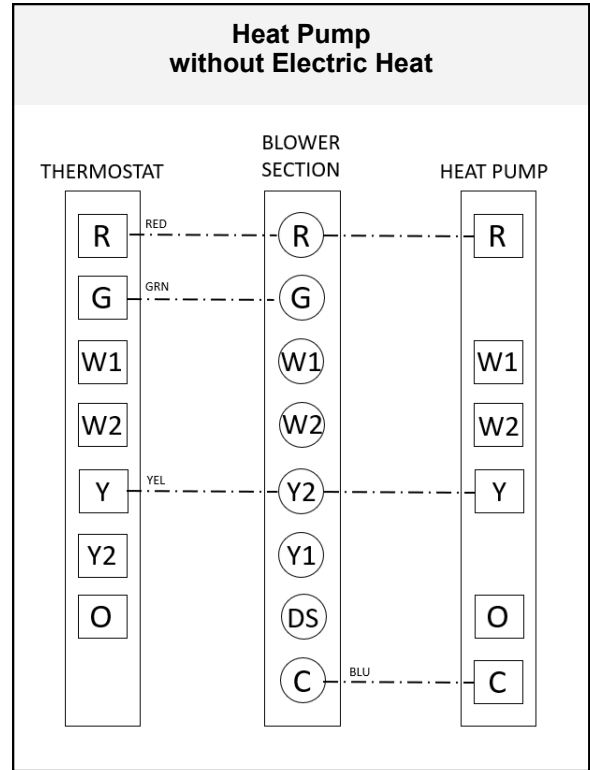
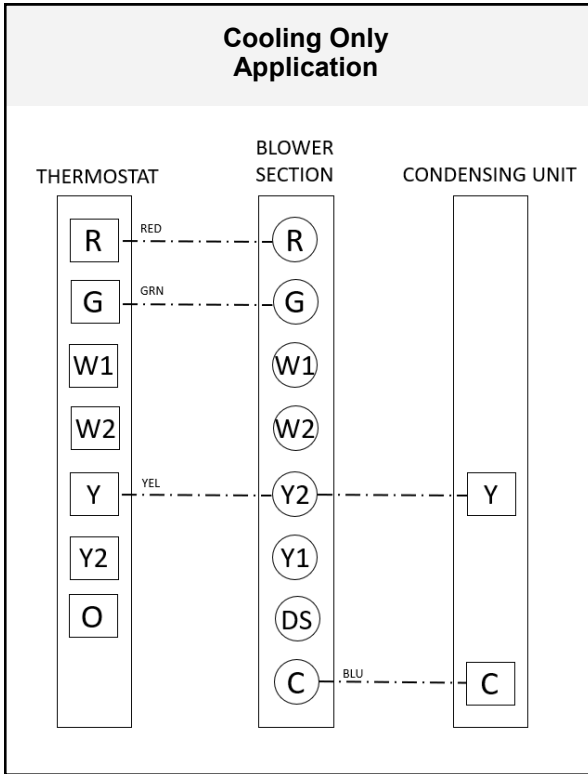
PART NO. 67843000 | WIRING DIAGRAM, EFURNACE, 120 V



THERMOSTAT CONNECTIONS

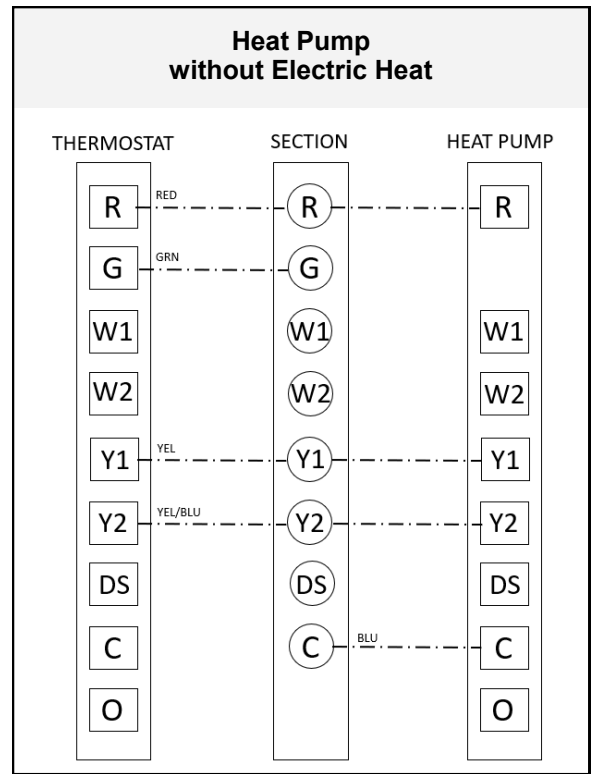
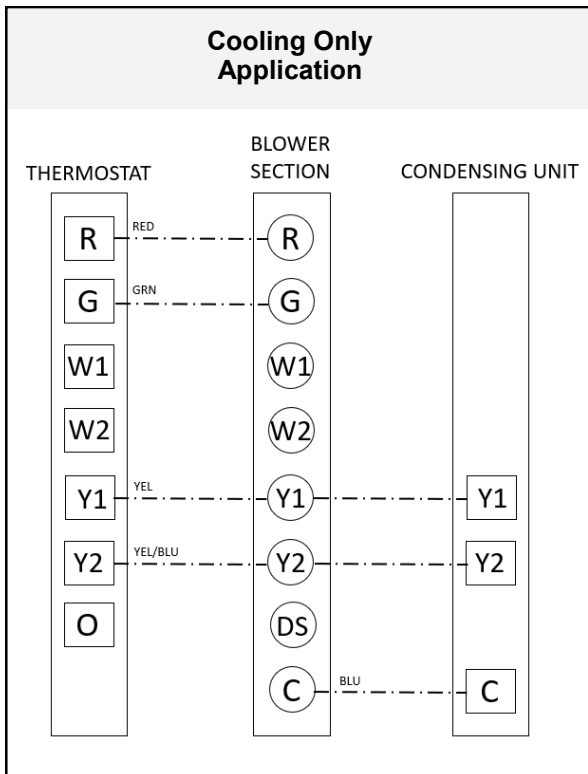
Typical 1– Stage Thermostat Connections

Maximum allowable current draw from power-stealing thermostats or other accessories is 18 mA. Exceeding this value may cause the blower section control board to operate abnormally.



Typical 2– Stage Thermostat Connections

Maximum allowable current draw from power-stealing thermostats or other accessories is 18 mA. Exceeding this value may cause the blower section control board to operate abnormally.



Blower Performance

		Airflow (CFM) vs. External Static Pressure (inches W.C.)									
Model	Tap	0.1	0.2	0.3	0.4	0.5	0.6	0.7	0.8	0.9	1.0
AEFE3A*	1	632	589	542	502	453	386	353	298	263	-
	2	791	751	723	685	647	608	635	596	554	498
	3	968	940	906	882	852	820	869	839	806	773
	4+	1081	1050	1018	994	967	943	1010	981	953	923
	5*	1237	1209	1187	1159	1133	1114	1218	1195	1169	1145
AEFE4B*	1	1037	996	949	904	859	812	815	765	716	656
	2	1240	1198	1156	1119	1078	1039	1064	1025	989	950
	3	1404	1368	1333	1295	1263	1226	1266	1234	1202	1168
	4+	1584	1551	1520	1493	1461	1427	1460	1429	1399	1371
	5*	1689	1661	1631	1599	1568	1543	1564	1533	1502	1471
AEFE5C*	1	1389	1332	1276	1218	1165	1104	1167	1106	1038	962
	2	1567	1516	1462	1415	1360	1305	1372	1316	1259	1207
	3	1950	1906	1866	1839	1795	1749	1820	1781	1741	1698
	4+	1756	1703	1652	1604	1556	1504	1542	1491	1439	1388
	5*	2090	2043	2000	1957	1914	1868	1930	1887	1847	1801
AEFE5D*	1	1401	1346	1286	1221	1164	1104	1138	1088	1033	978
	2	1585	1532	1483	1437	1378	1318	1340	1292	1245	1201
	3	1969	1927	1883	1858	1816	1771	1760	1724	1688	1651
	4+	1798	1751	1706	1663	1616	1564	1544	1504	1460	1416
	5*	2123	2078	2033	1991	1949	1908	1859	1822	1783	1747

Notes:

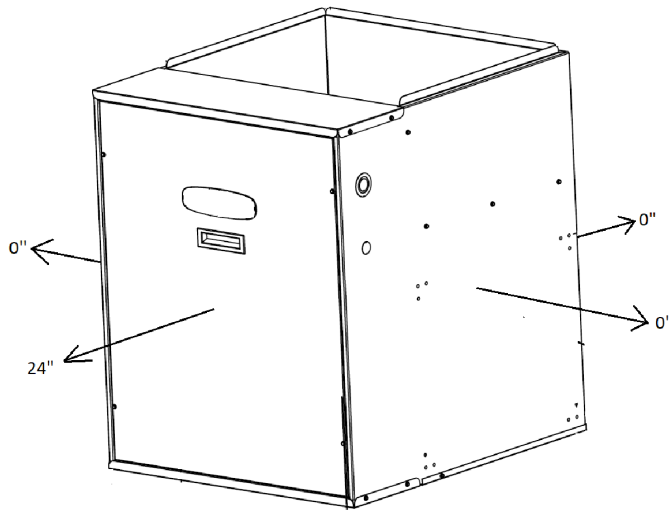
1. All data is given while modular blower is operating without a DX coil and without filter.
2. Tap 3 is the factory set cooling speed
3. Speed taps marked with an asterisk (*) denote highest cooling speed.
4. Speed taps marketed with a plus sign (+) denote highest heating speed.

Approved field installed duct heaters

Note: Follow heat kit manufacturer's installation instructions.

Model	Heat Kit Part No.
AEFE3A*	Warren - SL10A
AEFE4B*	Warren - SL15A
AEFE5C*	Warren - SL20A
AEFE5D*	Warren - SL20A

INSTALLATION CLEARANCES



Top (in)	Side (in)	Back (in)	Front Access Panel (in)	Bottom (in)
0	0	0	24	0

Note:
Clearances to combustible material to be 0" to unit sides and 24" for front panel access.

INSTALLATION REQUIREMENTS

These instructions are intended as a general guide only and do not supersede any national or local codes in any way. Compliance with all local, state, or national codes pertaining to this type of equipment should be determined prior to installation. Read this entire instruction manual, as well as the instructions supplied in separate equipment, before starting the installation. All models are designed for indoor installation only.

The installation of the blower section, field wiring, warm air ducts, etc. must conform to the requirements of the National Electrical Code, ANSI/NFPA No. 70 (latest edition) in the United States, and any state laws, and local ordinances (including plumbing or wastewater codes). Local authorities having jurisdiction should be consulted before installation is made. Such applicable regulations or requirements take precedence over the general instructions in this manual.

Install the conditioned air plenum, ducts and air filters (not provided) in accordance with NFPA 90B Standard for the Installation of Warm Air Heating and Air-Conditioning Systems (latest edition). The blower section is provided with flanges for the connection of the plenum and ducts. Air filters must be listed as Class 2 furnace air filters. The blower section is shipped from the factory completely assembled.

Do not remove the cabinet knockouts until it has been determined which knockouts will need to be removed for the installation.

Select the final installation position that best suits the site conditions. Consider required clearances, space, and routing requirements for refrigerant line, condensate disposal, filters, ductwork, wiring, and accessibility for service. Refer to the rating plate on the blower section for specific information.

⚠
WARNING
⚠

Electrical Shock

Disconnect power before servicing.

Replace all parts and panels before operating.

Electrically ground the unit.

Connect ground wire to ground terminal marked .

Failure to do so can result in death or electrical shock.

Explosion Hazard

Keep flammable materials and vapors, such as gasoline, away from this unit.

Failure to follow these instructions can result in death, explosion or fire.

TOOLS AND PARTS

Gather the required tools and parts before starting installation. Read and follow the instructions provided with any tools listed here.

Tools Needed

¼" nut driver	Tape Measure
Level	Sealant
Screwdriver	UL listed wire nuts

Parts Needed

Check local codes, check existing electrical supply, and read "Ductwork Requirements," and "Electrical Requirements," before purchasing parts.

LOCATION REQUIREMENTS

NOTE: When the unit is installed in a very humid space and used in cooling applications, excessive sweating may occur on outside of unit. To prevent excessive sweating wrap unit with 1" fiberglass insulation. All openings should be sealed to prevent air leakage that could cause condensate to form inside the cabinet.

- If installed in an unconditioned space, sealant should be applied around the electrical wires, refrigerant tubing, and condensate lines where they enter the cabinet.
- Electrical wires should be sealed on the inside where they exit the conduit opening. Sealant is required to prevent air leakage and from condensate from forming inside the blower, control box, and on the electrical controls.

- The blower section and its complementing coil must be installed in such a way as to allow free access to the blower/control compartment.
- The blower section and its complementing coil must be installed with a ¾" drop in the horizontal position towards the drain pan to ensure proper condensate drainage. The blower section and coil should also be tilted ½" from back to front toward the drain line.

IMPORTANT

The Clean Air Act of 1990 bans the intentional venting of refrigerant (CFC's and HFC's) as of July 1, 1992. Approved methods of reclaiming must be followed. Fines and/or incarceration may be levied for non-compliance.

INSTALLATION INSTRUCTIONS

1. Unpacking

The blower section is completely factory assembled, and all components are performance tested. Each unit consists of a blower assembly and controls, in an insulated galvanized steel factory finished enclosure. Knockouts are provided for electrical wiring entrance.

1. Check the unit rating plate to confirm specifications are as ordered.
2. Upon receipt of equipment, thoroughly inspect it for possible shipping damage. Closely examine the unit inside the carton if the carton is damaged.
3. If damage is found, it should be noted on the carrier's freight bill. Damage claims should be filed with carrier immediately. Claims of shortages should be filed with the seller within 5 days.

NOTE: If any damages are discovered and reported to the carrier, do not install the unit because your claim may be denied.

2. Location

- The blower section should be centered in its locations and may be installed in a closet, alcove, utility room, basement, crawl space or attic. Minimum clearances must be met.

- If the unit is installed in an unconditioned space such as an attic or crawl space, you must ensure that the area provides sufficient air circulation to prevent moisture collections on the cabinet during high dew point conditions.

3. Ductwork




- Install the conditioned air plenum, ducts and air filters (not provided) in accordance with NFPA 90B Standard for the installation of Warm Air Heating and Air-Conditioning Systems (latest edition).
- Air filters must be listed as Class 2 furnace air filters.
- Supply and return ductwork must be adequately sized to meet the system's air requirements and static pressure capabilities. Ductwork should be insulated with a minimum of 1" thick insulation with a vapor barrier in conditioned areas or 2" minimum in unconditioned areas.
- If installing the blower section without an evaporator coil, the supply plenum should be the same size as the flanged opening provided around the blower outlet and should extend ideally at least 3 ft. from the blower section before turning or branching off plenum into duct runs. The plenum forms an extension of the blower housing and minimizes air expansion losses from the blower.

INSTALLATION INSTRUCTIONS CONT.

4. Blower

This unit is supplied with a 5 speed ECM motor which can achieve various air flows. The unit is shipped with factory set speeds for heating and cooling. Additional air flow data is provided, be sure to check the air flow and temperature drop across the evaporator coil to ensure sufficient air flow.

5. Wiring

WARNING	
Electrical Shock	
Disconnect power before servicing.	
Replace all parts and panels before operating.	
Electrically ground the unit.	
Connect ground wire to ground terminal marked  .	
Failure to do so can result in death or electrical shock.	
Explosion Hazard	
Keep flammable materials and vapors, such as gasoline, away from this unit.	
Failure to follow these instructions can result in death, explosion or fire.	

NOTE: Use copper conductors only.

- All field wiring must be done in accordance with National Electrical Code, applicable requirements of UL and local codes, where applicable.
- Electrical wiring, disconnect means and over-current protection are to be supplied by the installer. Refer to the blower section rating plate for maximum over-current protection, minimum circuit ampacity, as well as operating voltage.
- The power supply must be sized and protected according to the specifications supplied on the product.
- This blower section is factory-configured for 120 Volts, single phase, 60 Hz.
- Refer to the instructions provided with the accessory for proper installation.

6. Air Filter

An air filter must be installed before air enters the blower section to protect the blower and other internal parts from excessive dirt and dust.

7. Maintenance

The system's air filter(s) should be inspected, cleaned, or replaced at least monthly. Make certain that the access panels are replaced and secured properly before placing the unit back in operation. Periodic maintenance should be scheduled and conducted by a trained professional. This service should be conducted annually.

GENERAL INSTALLATION INSTRUCTIONS

For ease of installation, it is best to make any necessary coil configuration changes before connecting the blower section to the coil.

Upflow Installations

1. For bottom return, remove the bottom block off plate.
2. For side return, cut and remove the side return panel (left or right side, depending on application). Use the provided corner indentions as a guide.
3. Place the evaporator coil on top of the blower section and secure with sheet metal screws through the blower section flanges.
4. Seal per local codes and requirements.

Downflow Installations

1. For top return, remove the bottom block off plate.
2. For side return, cut and remove the side return panel (left or right side, depending on application). Use the provided corner indentions as a guide.
3. Remove Styrofoam blower support block.
4. Flip the blower section upside down and place on top on the evaporator coil. If installing with a standard cased coil, flange removal or modification may be required to the coil case.
5. Secure the blower section to the coil case with sheet metal screws through the blower section flanges.
6. Remove the blower section door, rotate 180 degrees, and reinstall.

Upflow Installation



Downflow Installation



GENERAL INSTALLATION INSTRUCTIONS

Horizontal Installations

Horizontal Installations can be left-hand or right-hand air supplied. Adequate support must be provided to ensure cabinet integrity. Ensure that there is adequate room to remove service and access panels if installing in the horizontal position. Refer to instructions provided with coil for proper horizontal installations.

IMPORTANT:

- Refer to the instructions provided with the coil being used to determine how the secondary drain should be trapped and piped.
- When an evaporator coil is installed in an attic or above a finished ceiling, an auxiliary drain pan should be provided under the blower section and coil as specified by most local building codes.

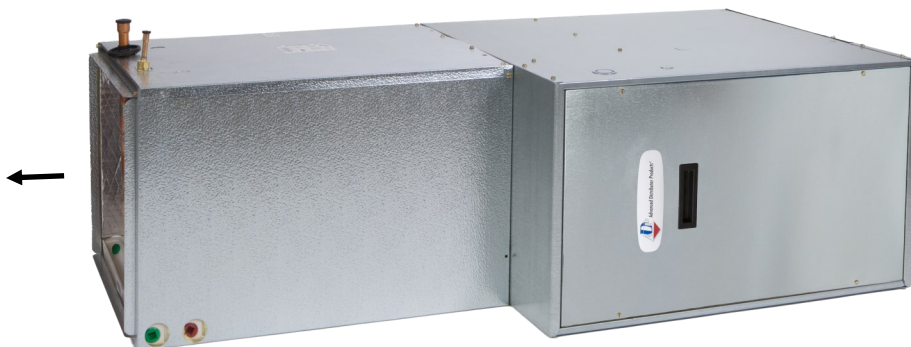
Suspended Cabinet Installation

NOTE: The Blower section must be positioned with one side parallel to the floor when in the horizontal position.

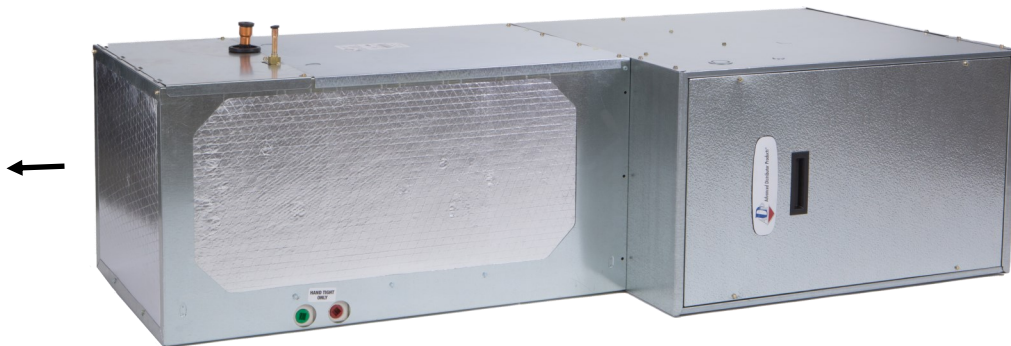
The suspending means must be field fabricated, and should consist of a minimum of two “cradles” made by attaching two 3/8” all thread rods to a length 1-5/8” x 7/8” unistrut. Cradles should not interfere with panel removal, drain connections, or refrigerant connections.

1. Remove the bottom block off plate and styrofoam support block.
2. Position the blower section up against the coil opening.
3. Attach the evaporator coil by screwing the coil cabinet into the blower section flanges.

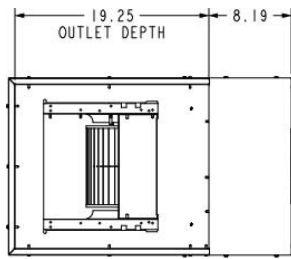
Horizontal installation with a dedicated horizontal coil



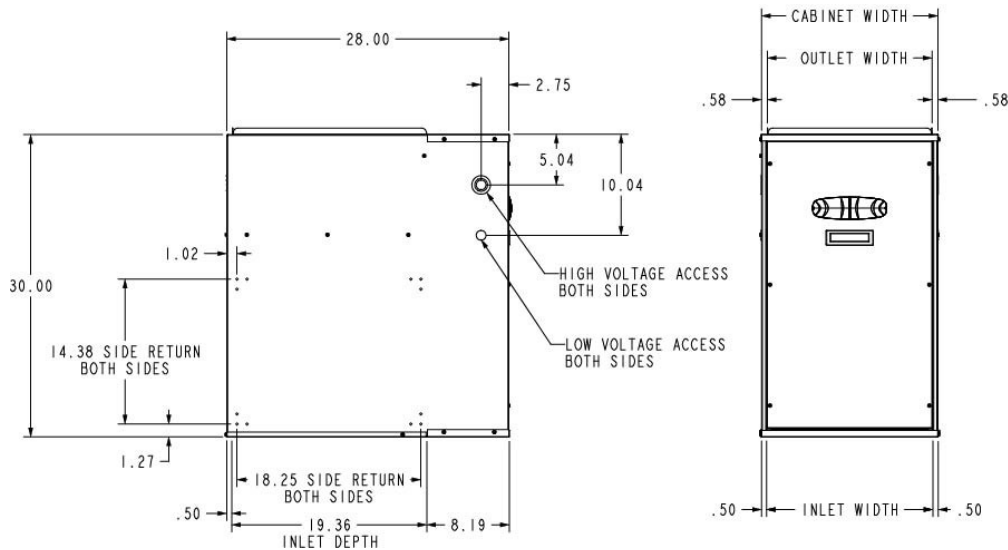
Horizontal installation with a plenum coil



DIMENSIONS



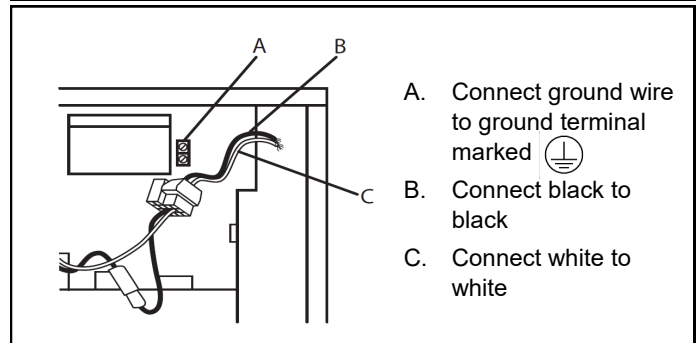
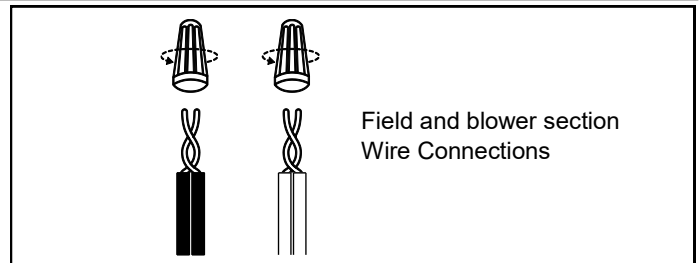
MODEL	CABINET WIDTH	INLET WIDTH	OUTLET WIDTH
AEF3A*	14.25"	13.25"	13.09"
AEF4B*	17.50"	16.50"	16.34"
AEF5C*	21.00"	20.00"	19.84"
AEF5D*	24.50"	23.50"	23.34"



MAKE ELECTRICAL CONNECTIONS

120 Volt Installations

1. Disconnect all power supplies.
2. Remove the access panel.
3. Route the field supply wires into the unit
4. Connect the field supply wires (black to black and white to white)
5. Connect ground wire to ground terminal marked "GND" or
6. Replace the access panel.



WARNING

Electrical Shock

- Disconnect power before servicing.
- Replace all parts and panels before operating.
- Electrically ground the unit.
- Connect ground wire to ground terminal marked .
- Failure to do so can result in death or electrical shock.



Explosion Hazard

- Keep flammable materials and vapors, such as gasoline, away from this unit.
- Failure to follow these instructions can result in death, explosion or fire.



COMPLETE INSTALLATION

NOTE: Refer to outdoor unit installation instructions for system start-up instructions.

PRE-Start Check

- Is unit properly located, secure, and serviceable?
- Is the ductwork correctly sized, run, taped, and insulated?
- Have all cabinet openings and wiring been sealed?
- Is the wiring neat, correct, and in accordance with the wiring diagram?
- Is the unit properly grounded?
- Is the thermostat correctly wired and in a good location?
- Is the access panel in place and secure?

Check Blower Operation

1. Set the thermostat to FAN ON.
2. The indoor blower should come on.

Check / Change Airflow

- The blower section is equipped with 5 speed taps.
- For proper cooling operation check the evaporator coil recommendations for CFM per Ton.
- Refer to blower performance chart for CFM vs. External Static Pressure.
- To change blower speeds, connect thermostat wiring to desired speed taps.

SEQUENCE OF OPERATIONS

When the thermostat calls for cooling, the circuit between R & Y is completed. This will energize the indoor blower motor and the contactor relay in the outdoor unit, turning on the compressor and condenser fan motor. For heat pump systems; the circuit between R & O or R & B will be completed to energize the reversing valve, switching the outdoor unit to cooling position. Air Handler blower turns off 45 seconds after the cooling cycle is satisfied by the thermostat.


MAINTENANCE

At the beginning of each cooling season the unit should be serviced by a qualified installer or servicing agency.



WARNING

Electrical Shock

- Disconnect power before servicing.
- Replace all parts and panels before operating.
- Electrically ground the unit.
- Connect ground wire to ground terminal marked .



Failure to do so can result in death or electrical shock.

Explosion Hazard

- Keep flammable materials and vapors, such as gasoline, away from this unit.



Failure to follow these instructions can result in death, explosion or fire.

ASSISTANCE OR SERVICE

If you need further assistance, you may contact us at the address below with any questions or concerns. Please include a daytime phone number in your correspondence.

Advanced Distributor Products
1995 Air Industrial Park Road
Grenada, MS 38901

Term of Warranty

Advanced Distributor Products (ADP) warrants that products sold shall be of merchantable quality, free of defects in material and workmanship, under normal use and service, for a period of five (5) years from the date of installation, **not** to exceed six (6) years from the date of manufacture subject to the terms of ADP's limited warranty.

For information on this product's warranty, including accessing complete warranty terms, registering for an extended warranty* or instructions on filing a warranty claim, please go to www.ADPwarranty.com.

* *In such states or provinces where registration requirements are prohibited, failure to complete registration by the consumer does not diminish his or her warranty rights.*

ADP LIMITED WARRANTY

Equipment Information

Please complete information below and retain this warranty for records and future reference.

Unit Model Number: _____

Serial Number: _____

Installing Contractor: _____

Installation Date: _____

Phone: _____





Instructions d'installation

Moduleflex eFurnace™



TABLE DES MATIÈRES	PAGE	PAGE	
Sécurité.....	2	Instructions générales d'installation.....	8
Schéma de câblage.....	2	Dimensions du produit.....	10
Connexions du thermostat.....	3	Effectuer les connexions électriques.....	10
Rendement du ventilateur.....	4	Installation complète.....	11
Dégagements d'installation.....	5	Séquence de fonctionnement.....	11
Exigences d'installation.....	5	Entretien.....	11
Outils et pièces.....	6	Assistance ou service.....	12
Exigences relatives à l'emplacement.....	6	Garantie.....	12
Instructions d'installation.....	6		

⚠ AVERTISSEMENT ⚠

Cet produit peut contenir une isolation en laine de fibre de verre. Les fibres de laine de verre sont reconnues par l'État de Californie comme cancérogènes. Des problèmes d'isolation pendant l'installation, l'entretien ou la réparation peuvent vous exposer à des fibres de laine de verre et causer une irritation des voies respiratoires, de la peau ou des yeux. Pour plus d'information sur les risques associés à la laine de fibre de verre, consulter la fiche technique de sécurité disponible auprès de l'OEM.

⚠ ATTENTION ⚠

Cet appareil n'est pas conçu pour être utilisé par des personnes (y compris des enfants) ayant des capacités physiques, sensorielles ou mentales réduites, ou un manque d'expérience et de connaissances, sauf si elles ont été surveillées ou que des instructions ont été données concernant l'utilisation de l'appareil par une personne responsable de leur sécurité. Les enfants doivent être surveillés pour s'assurer qu'ils ne jouent pas avec l'appareil.



L'amélioration des produits est un processus continu chez Advanced Distributor Products. Par conséquent, les spécifications du produit peuvent être modifiées sans préavis et sans obligation de notre part. Veuillez contacter votre représentant ou distributeur ADP pour vérifier les détails.

© 2023 par Advanced Distributor Products. Tous droits réservés.

SÉCURITÉ

Votre sécurité et celle des autres sont très importantes.

Nous avons fourni de nombreux messages de sécurité importants dans ce manuel et sur votre appareil. Toujours lire et respecter tous les messages de sécurité.



Il s'agit du symbole d'alerte de sécurité.

Ce symbole vous avertit des dangers potentiels qui peuvent vous tuer ou vous blesser, ainsi que d'autres personnes.

Tous les messages de sécurité suivent le symbole d'alerte de sécurité et

le mot « DANGER » ou « AVERTISSEMENT ». Ces mots signifient :

DANGER: Vous pouvez être tué ou gravement blessé si vous ne suivez pas immédiatement les instructions.

AVERTISSEMENT: Vous pouvez être tué ou gravement blessé si vous ne suivez pas immédiatement les instructions.

Tous les messages de sécurité vous indiqueront le danger potentiel, vous indiqueront comment réduire le risque de blessure et vous indiqueront ce qui peut se passer si les instructions ne sont pas respectées.



AVIS



Cette unité est un CLIMATISEUR À UNITÉ PARTIELLE, conforme aux exigences de la présente norme en matière d'UNITÉ PARTIELLE, et ne doit être connectée qu'à d'autres unités qui ont été confirmées comme étant conformes aux exigences correspondantes de la présente norme, UL 60335-2-40/CSA C22.2 n° 60335-2-40, ou UL 1995/CSA C22.2 n° 236.

IMPORTANT

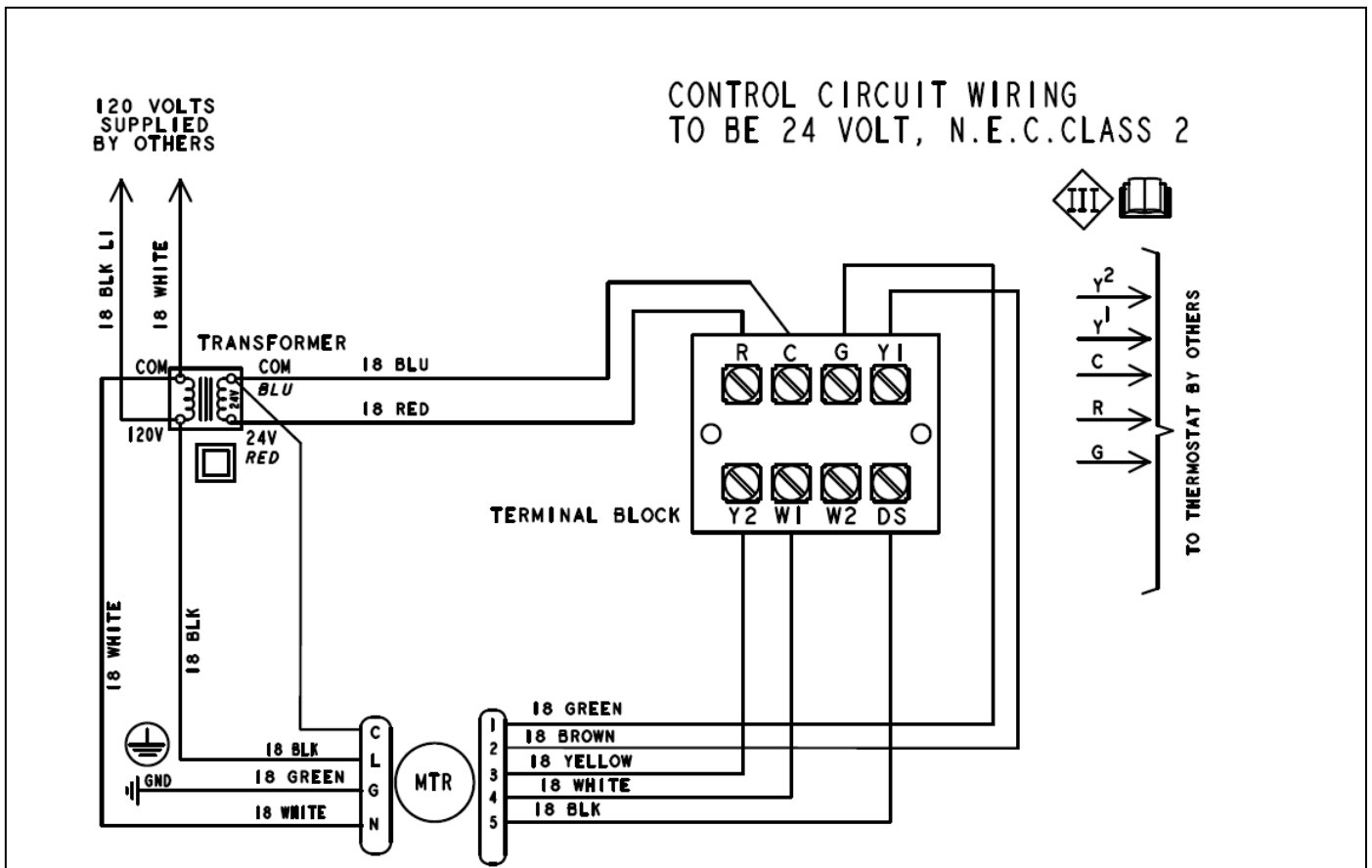
Une installation, un réglage, une modification, une maintenance et/ou un entretien incorrects peuvent entraîner des dommages matériels ou des blessures graves, voire mortelles. L'installation et l'entretien doivent être assurés par un installateur de CVCA professionnel certifié (ou l'équivalent), une société de service ou le fournisseur du gaz.

AVIS

L'altitude maximale de l'application est de 3 200 m au-dessus du niveau de la mer.

SCHÉMA DE CÂBLAGE

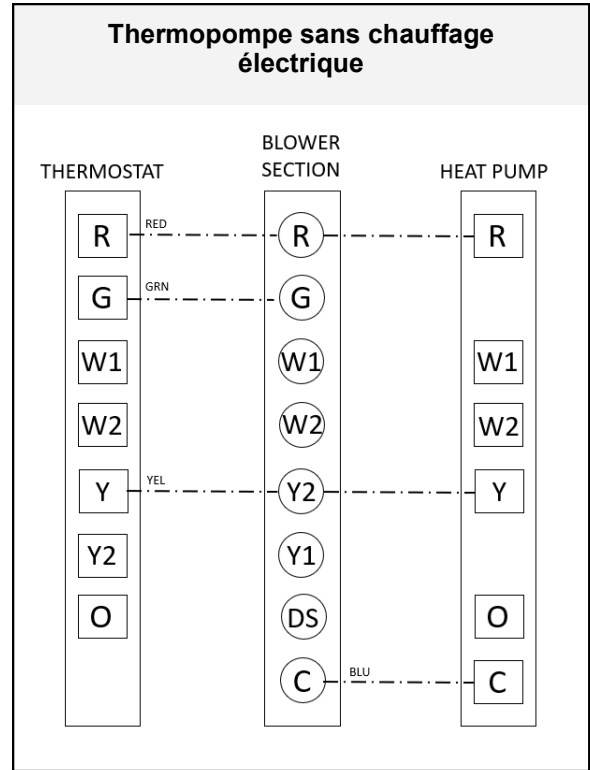
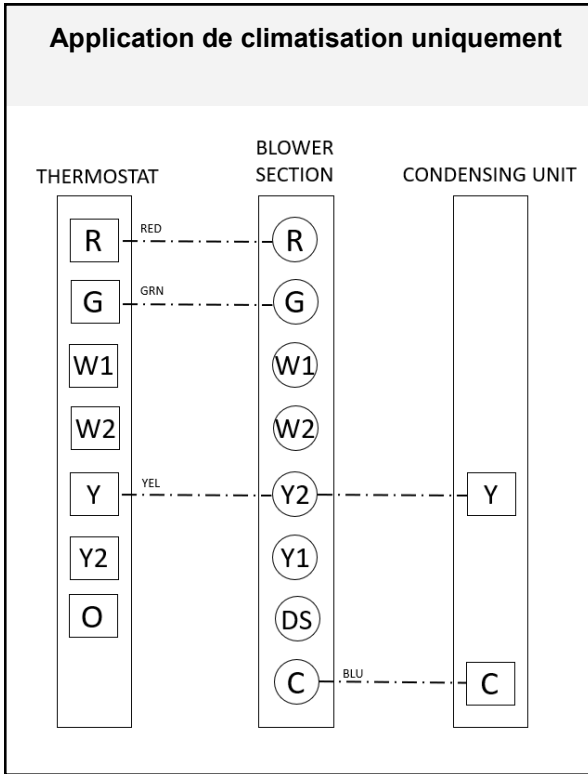
PIÈCE NO. 67843000 | SCHÉMA DE CÂBLAGE, GÉNÉRATEUR D'AIR CHAUD, 120 V



CONNEXIONS DU THERMOSTAT

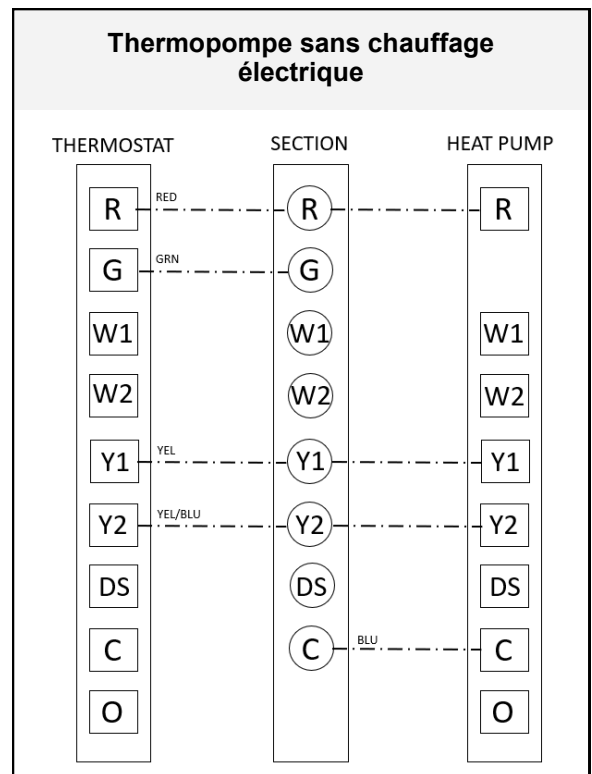
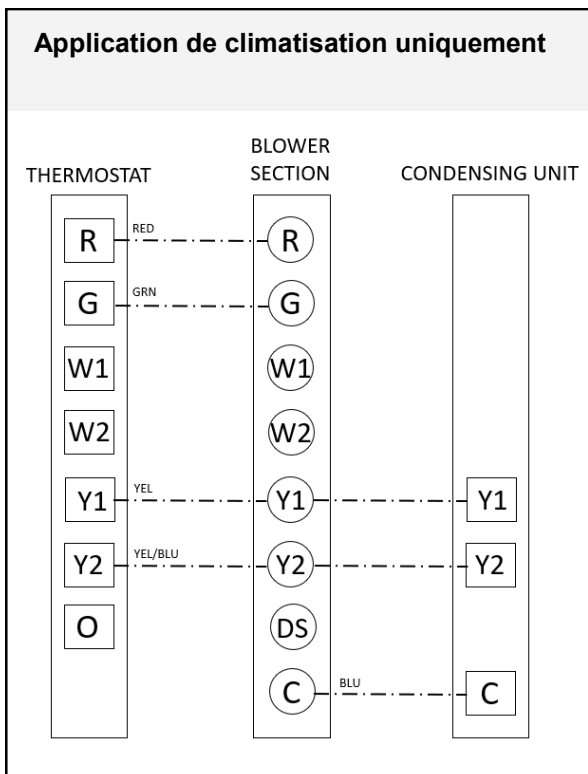
Connexions typiques du thermostat à 1 stage

La consommation de courant maximale autorisée des thermostats à vol d'énergie ou d'autres accessoires est de 18 mA. Un dépassement de cette valeur peut entraîner un fonctionnement anormal du panneau de commande de la section de ventilateur.



Connexions typiques du thermostat à 2 stages

La consommation de courant maximale autorisée des thermostats à vol d'énergie ou d'autres accessoires est de 18 mA. Un dépassement de cette valeur peut entraîner un fonctionnement anormal du panneau de commande de la section de ventilateur.



Rendement du ventilateur

		Débit d'air (CFM) vs. Pression statique extérieure (pouces d'eau)									
Modèle	Appuyez sur	0,1	0,2	0,3	0,4	0,5	0,6	0,7	0,8	0,9	1,0
AEFE3A*	1	632	589	542	502	453	386	353	298	263	-
	2	791	751	723	685	647	608	635	596	554	498
	3	968	940	906	882	852	820	869	839	806	773
	4+	1081	1050	1018	994	967	943	1010	981	953	923
	5*	1237	1209	1187	1159	1133	1114	1218	1195	1169	1145
AEFE4B*	1	1037	996	949	904	859	812	815	765	716	656
	2	1240	1198	1156	1119	1078	1039	1064	1025	989	950
	3	1404	1368	1333	1295	1263	1226	1266	1234	1202	1168
	4+	1584	1551	1520	1493	1461	1427	1460	1429	1399	1371
	5*	1689	1661	1631	1599	1568	1543	1564	1533	1502	1471
AEFE5C*	1	1389	1332	1276	1218	1165	1104	1167	1106	1038	962
	2	1567	1516	1462	1415	1360	1305	1372	1316	1259	1207
	3	1950	1906	1866	1839	1795	1749	1820	1781	1741	1698
	4+	1756	1703	1652	1604	1556	1504	1542	1491	1439	1388
	5*	2090	2043	2000	1957	1914	1868	1930	1887	1847	1801
AEFE5D*	1	1401	1346	1286	1221	1164	1104	1138	1088	1033	978
	2	1585	1532	1483	1437	1378	1318	1340	1292	1245	1201
	3	1969	1927	1883	1858	1816	1771	1760	1724	1688	1651
	4+	1798	1751	1706	1663	1616	1564	1544	1504	1460	1416
	5*	2123	2078	2033	1991	1949	1908	1859	1822	1783	1747

Remarques :

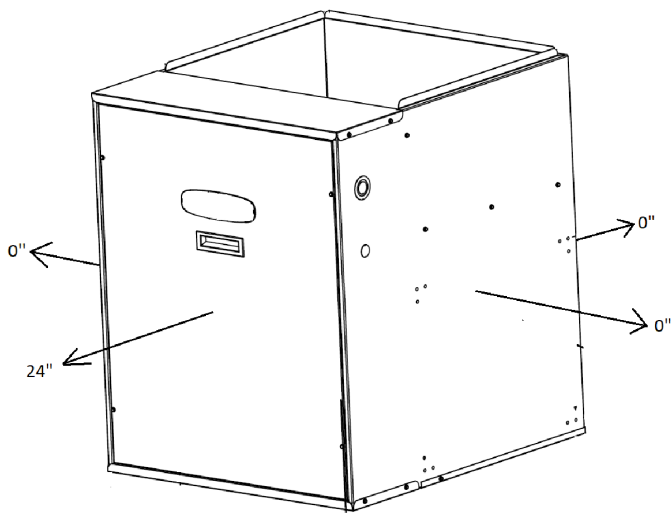
1. Toutes les données sont données quand le ventilateur modulaire fonctionne sans serpentin DX et sans filtre.
2. Appuyez sur 3 pour afficher la vitesse de refroidissement réglée en usine
3. Les prises rapides marquées d'un astérisque (*) indiquent la vitesse de climatisation la plus élevée.
4. Les prises rapides vendues avec un signe plus (+) indiquent la vitesse de chauffage la plus élevée.

Aérothermes approuvés installés sur place

Remarque : Suivre les instructions d'installation du fabricant de l'ensemble de chauffage.

Modèle	No de pièce de l'ensemble de chauffage
AEFE3A*	Warren - SL10A
AEFE4B*	Warren - SL15A
AEFE5C*	Warren - SL20A
AEFE5D*	Warren - SL20A

DÉGAGEMENTS D'INSTALLATION



Dessus (po)	Côté (po)	Arrière (po)	Panneau d'accès avant (po)	Bas (po)
0	0	0	24	0

Remarque :
Les dégagements par rapport aux matériaux combustibles doivent être de 0 po sur les côtés de l'unité et de 24 po pour l'accès au panneau avant.

EXIGENCES D'INSTALLATION

Ces instructions sont données à titre indicatif uniquement et ne remplacent en aucun cas les codes nationaux ou locaux. La conformité à tous les codes locaux, provinciaux ou nationaux applicables à ce type d'équipement doit être déterminée avant l'installation. Lire ce manuel d'instructions dans son intégralité, ainsi que les instructions fournies avec l'équipement séparé, avant de commencer l'installation. Tous les modèles sont conçus pour utilisation à l'intérieur uniquement.

L'installation de la section de ventilateur, du câblage sur place, des conduits d'air chaud, etc. doit être conforme aux exigences du National Electrical Code, ANSI/NFPA n° 70 (dernière édition) aux États-Unis, et à toutes les lois de l'État et ordonnances locales (y compris les codes de plomberie et des eaux usées). Les autorités compétentes locales doivent être consultées avant l'installation. De telles réglementations ou exigences applicables prévalent sur les instructions générales de ce manuel.

Installer le plénum d'air conditionné, les conduits et les filtres à air (non fournis) conformément à la norme NFPA 90B relative à l'installation des systèmes de climatisation et de chauffage à air chaud (dernière édition). La section de ventilateur est fournie avec des brides pour le raccordement du plénum et des gaines. Les filtres à air doivent être homologués comme filtres à air des fournaise d'air chaud de Classe 2. La section de ventilateur est expédiée entièrement assemblée en usine.

Ne pas retirer pas les ouvertures défonçables de l'armoire avant d'avoir déterminé quelles ouvertures devront être retirées pour l'installation.

Choisir la position d'installation finale qui convient le mieux aux conditions du site. Tenir compte des dégagements, de l'espace et des exigences d'acheminement nécessaires pour la conduite de réfrigérant, l'élimination du condensat, les filtres, les gaines, le câblage et l'accessibilité pour l'entretien. Se référer à la plaque signalétique de la section de ventilateur pour des informations spécifiques.

⚠
AVERTISSEMENT
⚠

Choc électrique

Déconnecter l'alimentation électrique avant de procéder à l'entretien.

Remettre toutes les pièces et panneaux en place avant de les utiliser.

Mettre l'unité à la terre.

Connecter le fil de terre à la borne de terre marquée .

Le non-respect de cette consigne peut entraîner la mort ou un choc électrique.

Danger d'explosion

Tenir les matériaux et vapeurs inflammables, comme l'essence, à l'écart de cette unité.

Le non-respect de ces instructions peut entraîner la mort, une explosion ou un incendie.

OUTILS ET PIÈCES

Rassembler les outils et les pièces nécessaires avant de commencer l'installation. Lire et suivre les instructions fournies avec tous les outils indiqués ici.

Outils nécessaires

Tourne-écrou de ¼ po	Ruban de mesure
Niveau	Selant
Tournevis	Écrous de fils homologués UL

Pièces nécessaires

Vérifier les codes locaux, l'alimentation électrique existante et lire les sections « Exigences relatives aux conduites » et « Exigences électriques » avant d'acheter des pièces.

EXIGENCES RELATIVES À L'EMPLACEMENT

REMARQUE : Quand l'unité est installée dans un espace très humide et utilisée dans les applications de climatisation, une transpiration excessive peut se produire à l'extérieur de l'unité. Pour éviter les sueurs excessives, envelopper l'unité avec une isolation en fibre de verre de 1 po. Toutes les ouvertures doivent être étanchéifiées pour éviter les fuites d'air qui pourraient entraîner la formation de condensat à l'intérieur de l'enceinte.

- S'il est installé dans un espace non conditionné, un produit d'étanchéité doit être appliqué autour des fils électriques, des conduites de réfrigérant et de la conduite de condensat à l'endroit où ils entrent dans l'armoire.
- Les fils électriques doivent être scellés à l'intérieur, à l'endroit où ils sortent de l'ouverture du conduit. Un produit d'étanchéité est nécessaire pour empêcher les fuites d'air et la formation de condensat à l'intérieur du ventilateur, du boîtier de commande et des commandes électriques.

- La section de ventilateur et son serpentin de complément doivent être installés de manière à permettre un accès libre au compartiment du ventilateur/contrôleur.
- La section de ventilateur et son serpentin de complément doivent être installés avec une chute de 3/4 po en position horizontale vers la cuvette de drainage pour assurer un drainage correct du condensat. La section de ventilateur et le serpentin doivent également être inclinés de 1/2 po de l'arrière vers l'avant en direction de la conduite de drainage.

IMPORTANT

La loi sur la lutte contre la pollution atmosphérique (Clean Air Act) de 1990 interdit la mise à l'air volontaire du réfrigérant (CFC et HFC) à partir du 1er juillet 1992. Les méthodes de récupération approuvées doivent être respectées. La non conformité entraîne l'imposition éventuelle d'amendes et/ou l'emprisonnement.

INSTRUCTIONS D'INSTALLATION

1. Déballage

La section de ventilateur est entièrement assemblée en usine et toutes les composantes sont testées. Chaque unité est composée d'un ensemble ventilateur et de contrôles, dans une enceinte isolée en acier galvanisé finie en usine. Des détonations sont fournies pour l'entrée du câblage électrique.

1. Vérifier la plaque signalétique de l'unité pour confirmer que les spécifications correspondent à celles commandées.
2. À la réception de l'équipement, l'inspecter soigneusement pour déterminer s'il a été endommagé pendant le transport. Prêter une attention particulière à l'unité à l'intérieur du carton si celui-ci est endommagé.
3. En cas de dégâts, ces dégâts doivent être indiqués sur la liste de colisage du transporteur. Les demandes de dommages doivent être déposées immédiatement auprès du carrier. Les demandes de pénurie doivent être déposées auprès du vendeur dans les 5 jours.

REMARQUE : Si des dommages sont découverts et signalés au carrier, ne pas installer l'unité car votre réclamation peut être refusée.

2. Emplacement

- La section de ventilateur doit être centrée à son emplacement et peut être installée dans un placard, une alcôve, une pièce utilitaire, un sous-sol, un vide sanitaire ou un grenier. Les dégagements minima doivent être respectés.

- Si l'unité est installée dans un espace non climatisé tel qu'un grenier ou un vide sanitaire, vous devez vous assurer que la zone assure une circulation d'air suffisante pour empêcher l'accumulation d'humidité sur l'enceinte en cas de point de rosée élevé.

3. Conduits

- Installer le plénum d'air conditionné, les conduits et les filtres à air (non fournis) conformément à la norme NFPA 90B relative à l'installation des systèmes de climatisation et de chauffage à air chaud (dernière édition).
- Les filtres à air doivent être homologués comme filtres à air des fournaise d'air chaud de Classe 2.
- Les gaines d'alimentation et de retour doivent être correctement dimensionnées pour répondre aux exigences du système en matière d'air et de pression statique. Les gaines doivent être isolées avec une isolation d'au moins 1 po d'épaisseur avec une barrière anti-vapeur dans les zones climatisées ou d'au moins 2 po dans les zones non climatisées.
- Si la section de ventilateur est installée sans serpentin d'évaporateur, le plénum d'alimentation doit être de la même taille que l'ouverture à bride fournie autour de la sortie du ventilateur et doit idéalement dépasser d'au moins 3 pi de la section de ventilateur avant de tourner ou de ramifier le plénum dans les conduits. Le plénum forme une extension du boîtier du ventilateur et minimise les pertes d'expansion d'air du ventilateur.

INSTRUCTIONS D'INSTALLATION, SUITE

4. Ventilateur

Cette unité est fournie avec un moteur ECM à 5 vitesses qui peut fournir différents débits d'air. L'unité est expédiée avec les vitesses réglées en usine pour le chauffage et la climatisation. Des données supplémentaires sur le débit d'air sont fournies. Vérifier le débit d'air et la chute de température à travers le serpentin d'évaporateur pour assurer un débit d'air suffisant.

5. Câblage

AVERTISSEMENT 

Choc électrique 

Déconnecter l'alimentation électrique avant de procéder à l'entretien.

Remettre toutes les pièces et panneaux en place avant de les utiliser.

Mettre l'unité à la terre.

Connecter le fil de terre à la borne de terre marquée  .

Le non-respect de cette consigne peut entraîner la mort ou un choc électrique.

Danger d'explosion 

Tenir les matériaux et vapeurs inflammables, comme l'essence, à l'écart de cette unité.

Le non-respect de ces instructions peut entraîner la mort, une explosion ou un incendie.

REMARQUE : Utiliser uniquement des conducteurs en cuivre.

- Tout le câblage sur place doit être effectué conformément au National Electrical Code, aux exigences applicables des codes UL et locaux, le cas échéant.
- Le câblage d'alimentation, les moyens de déconnexion et la protection contre les surtensions doivent être fournis par l'installateur. Se reporter à la plaque signalétique section de ventilateur pour la protection maximale contre les surtensions, l'ampérage minimum du circuit et la tension de fonctionnement.
- L'alimentation électrique doit être dimensionnée et protégée conformément aux spécifications fournies avec le produit.
- Cette section de ventilateur est configurée en usine pour 120 volts, monophasé, 60 Hz.
- Voir les instructions fournies avec l'accessoire pour une installation correcte.

6. Filtre à air

Un filtre à air doit être installé avant que l'air pénètre dans la section de ventilateur pour protéger le ventilateur et les autres pièces internes de la saleté et de la poussière excessives.

7. Entretien

Le ou les filtre à air du système doivent être inspectés, nettoyés ou remplacés au moins une fois par mois. S'assurer que les panneaux d'accès sont correctement remis en place et fixés avant de remettre l'unité en marche. Un entretien périodique doit être programmé et effectué par un professionnel qualifié. Ce service doit être effectué une fois par an.

INSTRUCTIONS GÉNÉRALES D'INSTALLATION

Pour faciliter l'installation, il est préférable de modifier la configuration du serpentin avant de connecter la section de ventilateur au serpentin.

Installations ascendantes

1. Pour le retour par le bas, retirer le bloc inférieur de la plaque.
2. Pour le retour latéral, couper et retirer le panneau de retour latéral (côté gauche ou droit, selon l'application). Utiliser les indentations d'angle fournies comme guide.
3. Placer le serpentin d'évaporateur au-dessus de la section de ventilateur et le fixer avec des vis à tôle à travers les brides de la section de ventilateur.
4. Sceller conformément aux codes et exigences locaux.

Configuration pour circulation descendante

1. Pour le retour par le haut, retirer le bloc inférieur de la plaque.
2. Pour le retour latéral, couper et retirer le panneau de retour latéral (côté gauche ou droit, selon l'application). Utiliser les indentations d'angle fournies comme guide.
3. Retirer le bloc de support du ventilateur en polystyrène.
4. Renverser la section de ventilateur et la placer au-dessus du serpentin d'évaporateur. En cas d'installation avec un serpentin standard, il peut être nécessaire de retirer ou de modifier la bride du boîtier du serpentin.
5. Fixer la section de ventilateur sur le boîtier du serpentin avec des vis à tôle à travers les brides de la section de ventilateur.
6. Retirer la porte de la section de ventilateur, la faire pivoter de 180 degrés et la réinstaller.

Installation ascendante



Configuration pour circulation descendante



INSTRUCTIONS GÉNÉRALES D'INSTALLATION

Les configurations horizontales

Les installations horizontales peuvent être alimentées en air à gauche ou à droite. Un support adéquat doit être fourni pour assurer l'intégrité de l'enceinte. S'assurer qu'il y a suffisamment d'espace pour retirer les panneaux de service et d'accès si l'installation est horizontale. Se reporter aux instructions fournies avec le serpentin pour les installations horizontales correctes.

IMPORTANT:

- Voir les instructions fournies avec le serpentin utilisé pour déterminer comment le drain secondaire doit être piégé et raccordé.
- Lorsqu'un serpentin d'évaporateur est installé dans un grenier ou au-dessus d'un plafond fini, une cuvette de drainage auxiliaire doit être installée sous la section de ventilateur comme spécifié par la plupart des codes du bâtiment locaux.

Installation de l'enceinte suspendue

REMARQUE : La section du ventilateur doit être positionnée d'un côté parallèle au sol en position horizontale.

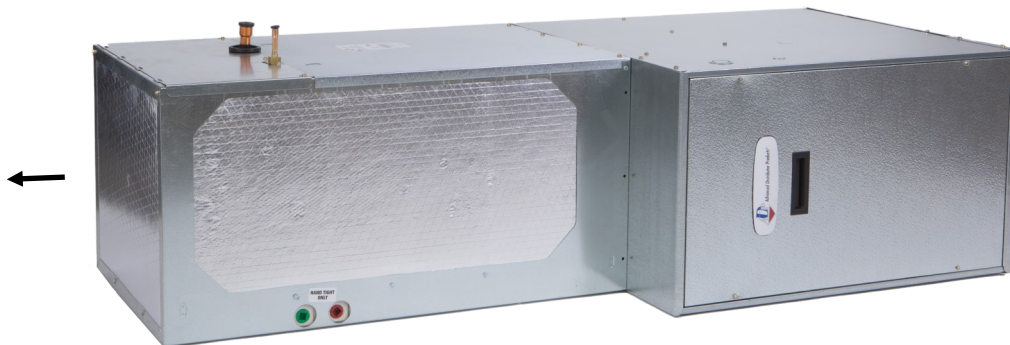
Les dispositifs de suspension doivent être fabriqués sur place et doivent être composés d'au moins deux « socles » fabriqués en fixant deux tiges filetées de 3/8 po à un entretoise de 1-5/8 x 7/8 po. Les socles ne doivent pas interférer avec le retrait du panneau, les connexions de drainage ou les connexions de réfrigérant.

1. Retirer le bloc inférieur de la plaque et le bloc de support en polystyrène.
2. Positionner la section de ventilateur contre l'ouverture du serpentin.
3. Fixer le serpentin d'évaporateur en vissant l'enceinte du serpentin sur les brides de la section de ventilateur.

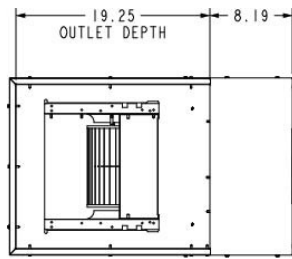
Installation horizontale avec serpentin horizontal dédié



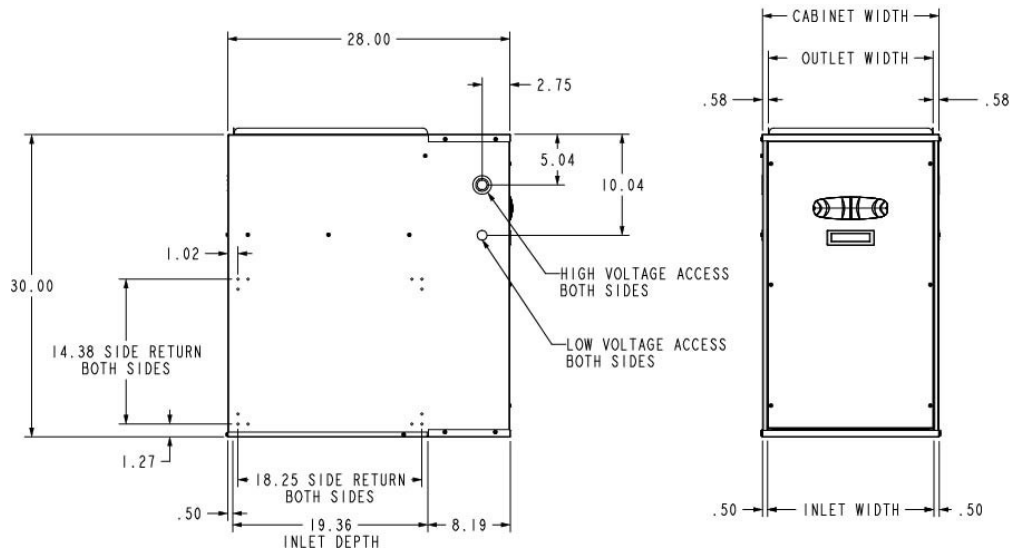
Installation horizontale avec serpentin de plénum



DIMENSIONS



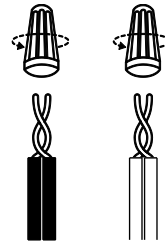
MODEL	CABINET WIDTH	INLET WIDTH	OUTLET WIDTH
AEF3A*	14.25"	13.25"	13.09"
AEF4B*	17.50"	16.50"	16.34"
AEF5C*	21.00"	20.00"	19.84"
AEF5D*	24.50"	23.50"	23.34"



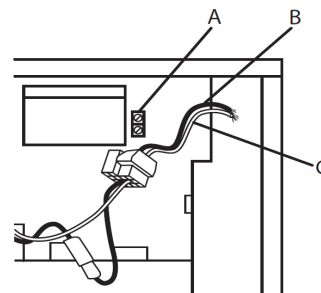
EFFECTUER LES CONNEXIONS ÉLECTRIQUES

Installations 120 V

1. Déconnecter toutes les sources d'alimentation.
2. Retirer le panneau d'accès.
3. Acheminer les fils d'alimentation sur place dans l'unité
4. Raccorder les fils d'alimentation sur place (noir à noir et blanc à blanc)
5. Connecter le fil de terre à la borne de terre portant la mention « GND » ou
6. Remonter le panneau d'accès.



Connexions des fils de la section de ventilateur



- A. Connecter le fil de terre à la borne de terre marquée
- B. Raccorder noir au noir
- C. Raccorder blanc au blanc

AVERTISSEMENT

Choc électrique

Déconnecter l'alimentation électrique avant de procéder à l'entretien.

Remettre toutes les pièces et panneaux en place avant de les utiliser.

Mettre l'unité à la terre.

Connecter le fil de terre à la borne de terre marquée .

Le non-respect de cette consigne peut entraîner la mort ou un choc électrique.

Danger d'explosion

Tenir les matériaux et vapeurs inflammables, comme l'essence, à l'écart de cette unité.

Le non-respect de ces instructions peut entraîner la mort, une explosion ou un incendie.

INSTALLATION COMPLÈTE

REMARQUE : Se reporter aux instructions d'installation de l'unité extérieure pour les instructions de démarrage du système.

Vérification PRÉ-démarrage

- L'unité est-elle correctement installée, sécurisée et réparable ?
- Les gaines sont-elles correctement dimensionnées, installées, scotchées et isolées ?
- Toutes les ouvertures et tous les câbles de l'enceinte ont-ils été étanchéifiés ?
- Le câblage est-il propre, correct et conforme au diagramme de câblage ?
- L'unité est-elle correctement mise à la terre ?
- Le thermostat est-il correctement câblé et en bon endroit ?
- Le panneau d'accès est-il en place et sécurisé ?

Vérifier fonct. du ventilateur

1. Régler le thermostat sur VENTILATEUR ON.
2. Le ventilateur intérieur doit s'allumer.

Vérifier/modifier le débit d'air

- La section de ventilateur est équipée de prises à 5 vitesses.
- Pour un fonctionnement correct, vérifier les recommandations du serpentin d'évaporateur pour le débit par tonne.
- Voir le tableau de performance du ventilateur pour le débit vs. pression statique extérieure.
- Pour modifier la vitesse du ventilateur, connecter le câblage du thermostat aux prises de vitesse désirées.

SÉQUENCE DE FONCTIONNEMENT

Quand le thermostat demande la climatisation, le circuit entre R et Y est terminé. Ceci met sous tension le moteur du ventilateur intérieur et le relais du contacteur de l'unité extérieure, ce qui met en marche le moteur du compresseur et du ventilateur du condenseur. Pour les systèmes à thermopompe, le circuit entre R & O ou R & B est terminé pour mettre sous tension la vanne d'inversion, en mettant l'unité extérieure en position Climatisation. Le ventilateur du ventilo-convecteur s'arrête 45 secondes après que le cycle de collation a été satisfait par le thermostat.

ENTRETIEN

Au début de chaque saison de climatisation, l'unité doit être entretenue par un installateur ou une société d'entretien qualifié.



AVERTISSEMENT


Choc électrique

Déconnecter l'alimentation électrique avant de procéder à l'entretien.



Remettre toutes les pièces et panneaux en place avant de les utiliser.

Mettre l'unité à la terre.

Connecter le fil de terre à la borne de terre marquée .

Le non-respect de cette consigne peut entraîner la mort ou un choc électrique.

Danger d'explosion

Tenir les matériaux et vapeurs inflammables, comme l'essence, à l'écart de cette unité.



Le non-respect de ces instructions peut entraîner la mort, une explosion ou un incendie.

ASSISTANCE OU SERVICE

Si vous avez besoin d'aide, vous pouvez nous contacter à l'adresse ci-dessous pour toute question ou préoccupation. Veuillez indiquer un numéro de téléphone de jour dans votre correspondance.

Advanced Distributor Products
1995 Air Industrial Park Road
Grenada, MS 38901

Durée de la garantie

Advanced Distributor Products (ADP) garantit que ses produits vendus seront de qualité marchande, exempts de défauts de matière et de main-d'œuvre, dans des conditions d'utilisation et d'entretien normales, pendant une période de cinq (5) ans à compter de la date d'installation, **sans** dépasser six (6) ans à compter de la date de fabrication, sous réserve des conditions de la garantie limitée d'ADP.

Pour en savoir plus sur la garantie de ce produit, y compris l'accès aux conditions de garantie complètes, l'enregistrement pour une garantie prolongée* ou les instructions pour déposer une réclamation au titre de la garantie, veuillez vous rendre sur www.ADPwarranty.com.

* Dans les États ou provinces où les exigences d'enregistrement sont interdites, le fait de ne pas terminer l'enregistrement par le consommateur ne réduit pas ses droits à la garantie.

GARANTIE LIMITÉE D'ADP

Information sur l'équipement

Veuillez écrire les renseignements demandés ci-dessous et conserver la présente garantie dans vos dossiers, pour consultation future.

Numéro de modèle de l'unité : _____

Numéro de série : _____

Entrepreneur installateur : _____

Date d'installation : _____

Téléphone : _____



2140 Lake Park Blvd, Richardson, TX 75080,
États-Unis
www.adpnow.com